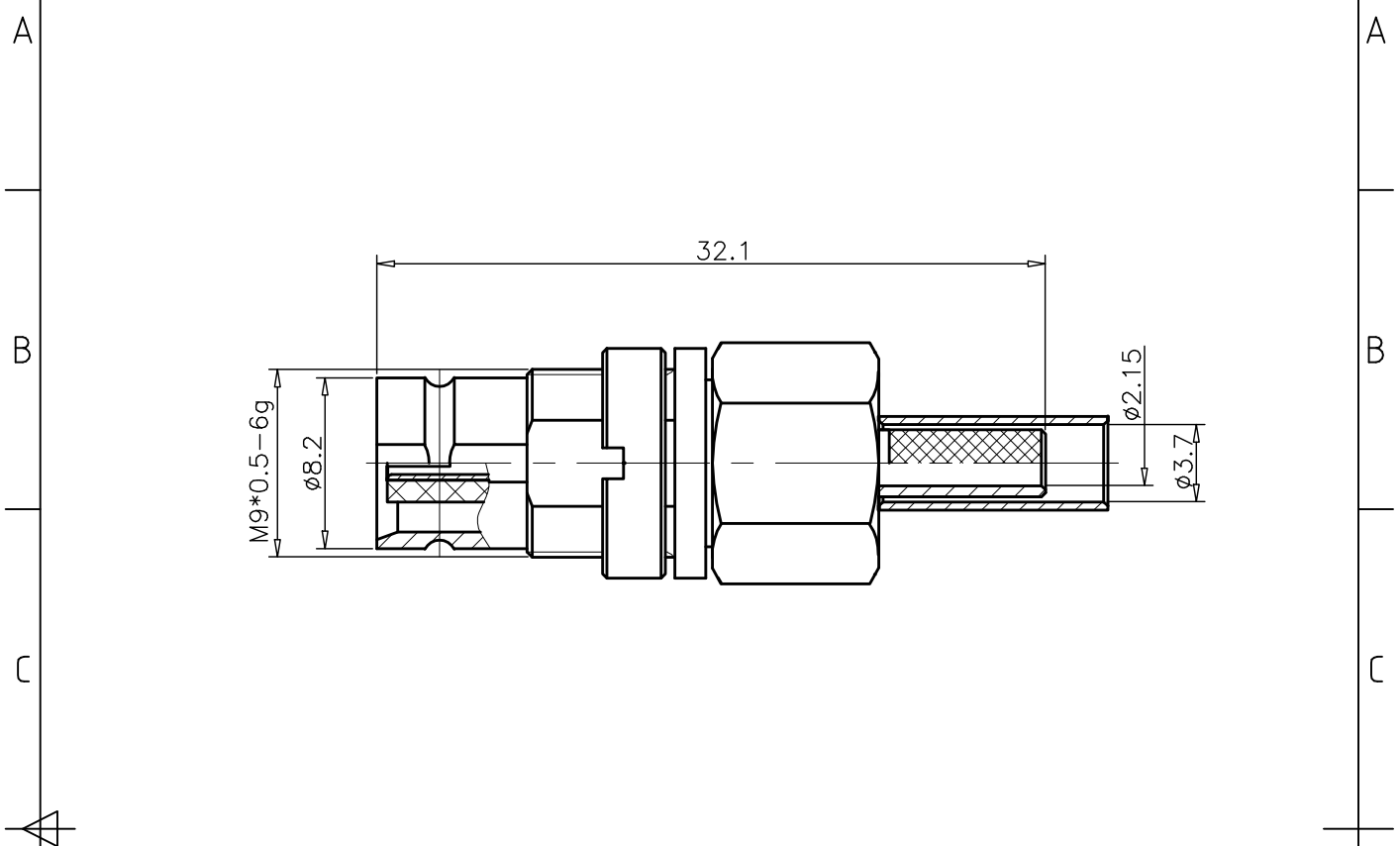


1	2	3	4
RevNo	Revision note	Date	Signature
00	Sketch Only	5/9/14	Teresa
			Checked
			Simon



Interface Per: MIL-STD-348, IEC 60169-13  
 Material & Finishing:  
 1. Center conductor: Beryllium Copper, Gold Plating  
 2. Insulators: PTFE  
 3. Ferrule: Copper, Nickel Plating  
 4. Spring Loaded Contacts: Bronze, Gold Plating  
 5. Body & Other Metal: Brass, Nickel Plating

ALL DIMENSIONS ARE IN MILLIMETERS AND [INCHES]		Title	
KERUI ELECTRONIC CO;LTD		1.6-5.6 75ohm female crimp for SYV-75-2-1 cable	
THESE DRAWING & SPEC. ARE THE PROPERTY OF KERUI ELECTRONIC CO;LTD AND SHALL NOT BE REPRODUCED, OR COPIED OR USED AS THE BASIS FOR THE MANUFACTURE OR SALE OF APPARATUS OR DEVICES WITHOUT THEIR EXPRESS WRITTEN CONSENT.	UNLESS OTHERWISE NOTED ALL SURFACES FINISHED TO 64/MAX.	Drawn by	Ckd by
	ALL TOLERANCES ARE: DECIMALS    FRACTIONS    ANGLES x ± 1.0    ±1/64    x' ± 1' x.x ± 0.5          x'x' ± 0.5' x.xx ± 0.1	Teresa	Simon
		Appd by	Date
		Richard	5/9/2014
		Scale	Sheet 1 of 1
		3:1	40 0121 106 01